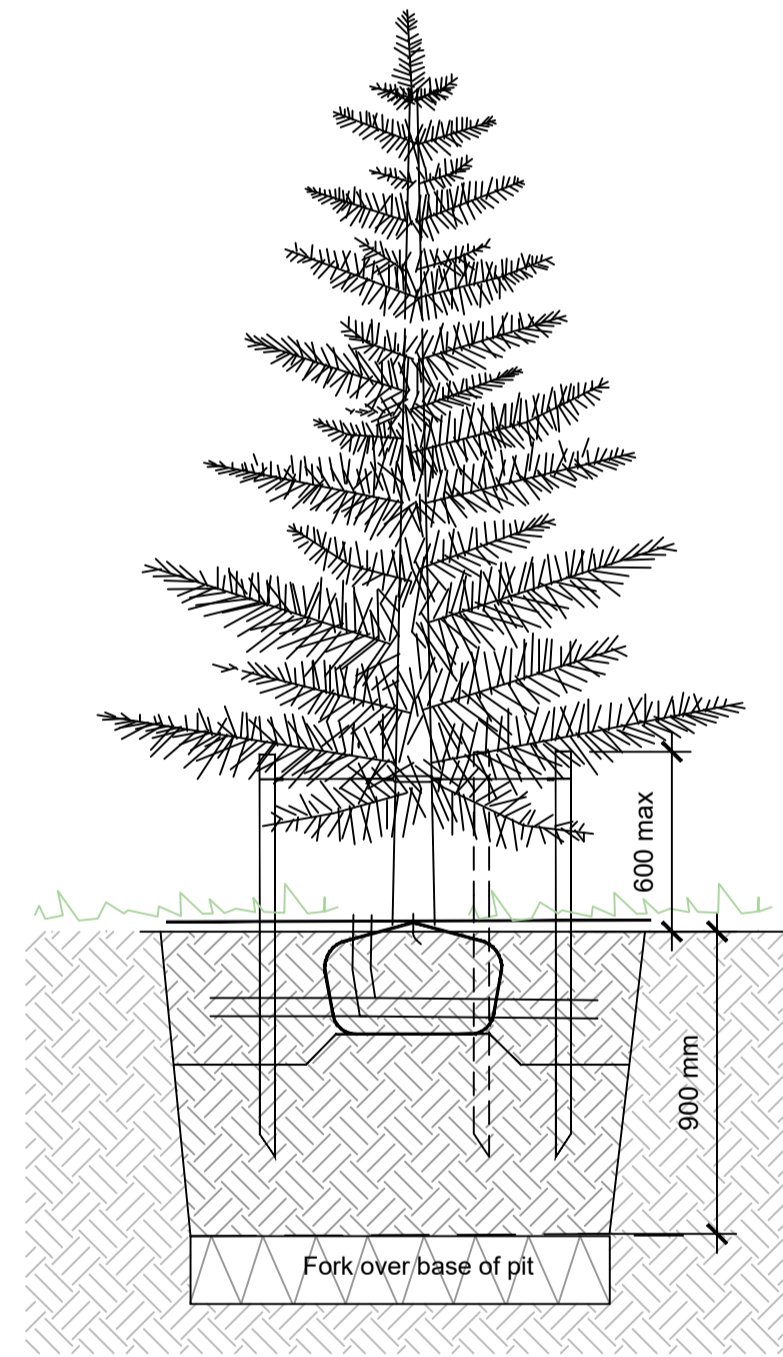


**NOTES**

- ① To have a clear stem height of 2m.
- ② 2no. 75 mm diameter stakes pressure treated driven 1300 mm below ground 600 mm above ground with specified biodegradable adjustable tie affixed to tree & stake.
- ③ 60mm diameter perforated flexible plastic drainage pipe positioned as shown over rootball with one end open to surface to facilitate watering.
- ④ Pits to be size 1200 x 1200 x 1000 mm or 150mm wider than rootball which ever is greater. Remove the full depth of topsoil and set aside for reuse if of good quality, otherwise import good quality top soil. Scarify sides and incorporate a soil ameliorant into base. Back fill pit with topsoil mixed with soil ameliorants in 150 mm firmed-in layers. All planting to receive a minimum of 25 lt water per m2 immediately after planting.
- ⑤ 50mm bark mulch in 1000mm dia circle to base of trunk.
- ⑥ Adjoining road kerb & surface
- ⑦ Adjoining path surface

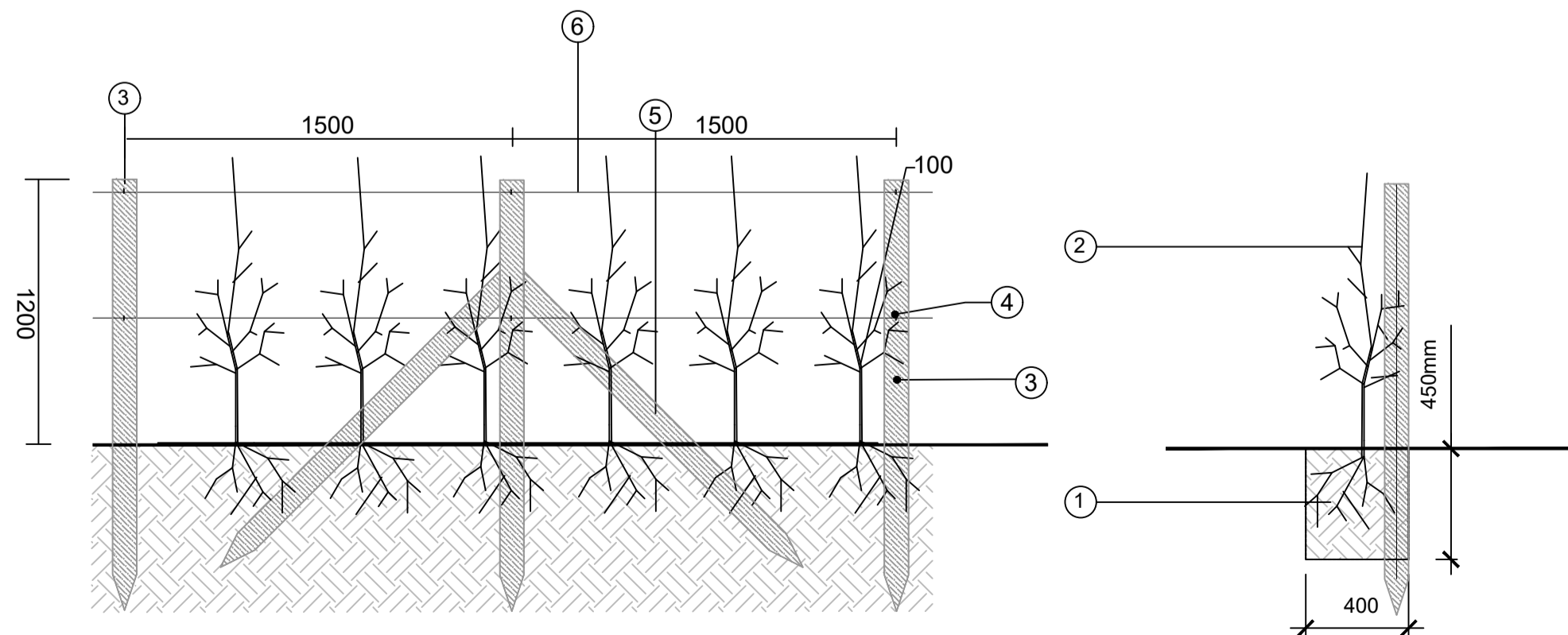
**V01** Tree Pit Detail in Grass  
SCALE: 1: 25@A1/1: 50@A3



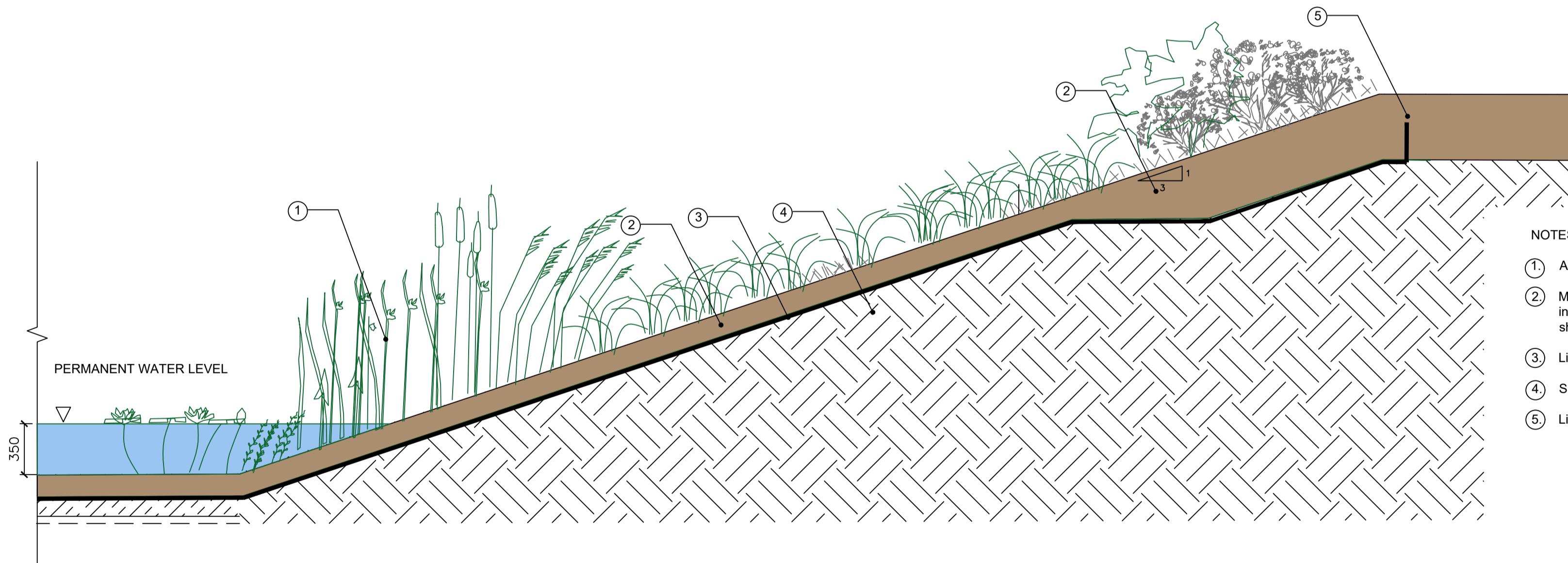
**NOTES**

1. 3no. 75mm Ø stakes pressure treated driven 1300mm below ground 400-600mm above ground, (depending on the height of the tree) with specified biodegradable rubber hose around wire at tree and nailed to stakes. Locate stakes 450mm from tree trunk.
2. 50mm mulch, as per spec., to base in 600mm dia. circle.
3. Pits to be min size 1000 x 1000 x 900mm or 300mm wider than rootball, which ever is greater. Remove the full depth of topsoil and set aside for reuse is of good quality. Scarify sides, break up base of pit to a depth of 200mm and incorporate a soil ameliorant. Fold down or cut and remove top 1/3 of burlap. If non-biodegradable wrap is used, remove totally. All planting to receive a minimum of 5-10lt water per m² immediately after planting.

**V03** Small Conifer/Feathered Tree Planting Detail  
SCALE: 1: 25@A1/1: 50@A3



**V04** Transplants with 1.2m high temporary support fence  
SCALE: 1: 25@A1/1: 50@A3



**NOTES**

- ① Aquatic and marginal planting to bank.
- ② Min 150mm topsoil planting substrate (depth of topsoil to increase to min 450mm over liner to accommodate larger shrubs) on
- ③ Liner (see engineers specification) on
- ④ Subsoil
- ⑤ Liner anchor point (see engineers specification)

**V05** Aquatic & Marginal Planting Detail  
SCALE: 1: 25@A1/1: 50@A3

**NOTES :**

**Planting Transplants:**

- ① The transplant planting is to be carried out single trenches dug 400 mm wide x 300 mm deep and to the required length. Mix the dug soil with the spec. ameliorants. Break up the soil in the base of the trench by 150 mm.
- ② Prepare the plants by: pruning back any damaged roots to healthy growth; placing roots of waiting plants in water whilst planting; applying an approved root-dip. Place the plants in the trench, 300 mm between the plants in the row. Backfill the trench to half its depth and firm by treading. Continue planting the trench. Once planted, backfill with the remaining soil and firm as before. Prior to new growth cut the plants hard back to within 300 mm of the ground to encourage bushy growth from the base.

**FENCING NOTES : (if required for wind conditions on bund)**

- ③ 1800 mm treated timber stakes driven securely into existing ground. Fencing to be positioned where there is no other wall / fence / railing beside a hedge.
- ④ Galvanized steel 100 mm gauge 'single wire' tensioned and securely fastened to posts using galvanized steel staples.
- ⑤ 1800 mm treated timber strainer posts every 15 m, change of direction, and for end of each run.

**NOTES**

**GENERAL CLEARANCE BEFORE PLANTING AND SPREADING TOPSOIL**

1. All rubble, stone over 150mm, general rubbish and builders' debris to be cleared from the proposed planting areas to the depth of the cultivated medium depending if trees, shrubs or grass (see spec for depths) and removed from site to an approved tip prior to any cultivation works.
2. The planting area shall be treated with an approved herbicide 2 weeks before spreading topsoil.

**SITE PREPARATION**

1. Following control of weeds, the entire area shall be leveled to a medium grade prior to topsoil being spread.
2. Topsoil to be cultivated so free of grass, pernicious weeds or and weed seed, stones larger than 50mm and other debris. Grade topsoil layer then remove stones larger than 30mm.
3. Topsoil to be spread in 150mm layers and gently firmed. Subsoil to be spread in 300mm layers and gently firmed.

**PLANT MATERIAL**

1. All plant material shall be pest and disease free.
2. Topsoil shall be supplied in accordance with BS3882.
3. All plants to be planted at the same depth as previously grown.
4. Sufficient soil must be removed to allow all roots to fully spread. Care must be taken with root systems - with dry or damaged roots are to be carefully pruned prior to planting.

**PLANTING**

**General**

**Times of year for planting:**

- Deciduous trees and shrubs : November to March.
- Conifers and evergreens : November to March.
- Container grown plants : At any time if ground and weather conditions are favorable.
  - Watering and weed control : Provide as necessary.

Refer to Plant Schedule for species, sizes and planting densities.

**Whips/shrubs**

1. All whips/shrubs to be pit planted as per detail.
2. Soil ameliorants can be premixed with the soil applied or mixed in during planting.
3. Soil ameliorants to consist of an approved compost at 10L per m<sup>2</sup>; and 50g/m<sup>2</sup> of 10.10.10 NPK slow release fertilizer.

**Trees**

1. Soil ameliorants to consist of an approved compost, at 20L for each feathered tree, 35L for each 14-16cm girth tree and 45L for each 18-20cm girth tree and 150g/m<sup>2</sup> of 10.8.4 NPK slow release fertilizer.
2. For further details, see drawing no. tree planting details.

**Hedges**

1. Soil ameliorants can be premixed with the soil applied or mixed in during planting, but must be through full width of trench.
2. Soil ameliorants to consist of an approved compost at 10L per m<sup>2</sup>; and 50g/m<sup>2</sup> of 10.8.4 NPK slow release fertilizer.

All planting to be watered thoroughly immediately after planting without damaging or displacing plants or soil.

A 01/03/2019 amended notes

REV	DATE	AMENDMENT

**CUNNANE STRATTON REYNOLDS**  
**LAND PLANNING & DESIGN**

DUBLIN OFFICE  
3 MOLESWORTH PLACE DUBLIN 2  
TEL 01 661 0419 FAX 01 661 0431  
EMAIL info@csrlandplan.ie



<b>PROJECT:</b> GLENAMUCK DISTRICT ROAD SCHEME DUN LAOGHAIRE RATHDOWN COUNTY COUNCIL	<b>DATE:</b> DECEMBER 2018
<b>DRAWING:</b> PLANTING DETAILS	<b>SCALE:</b> 1:25 @ A1
<b>DRAWING NO:</b> 17479-2-901	<b>CHECKED:</b> DL
<b>EIAR FIGURE REF:</b> 12.13	